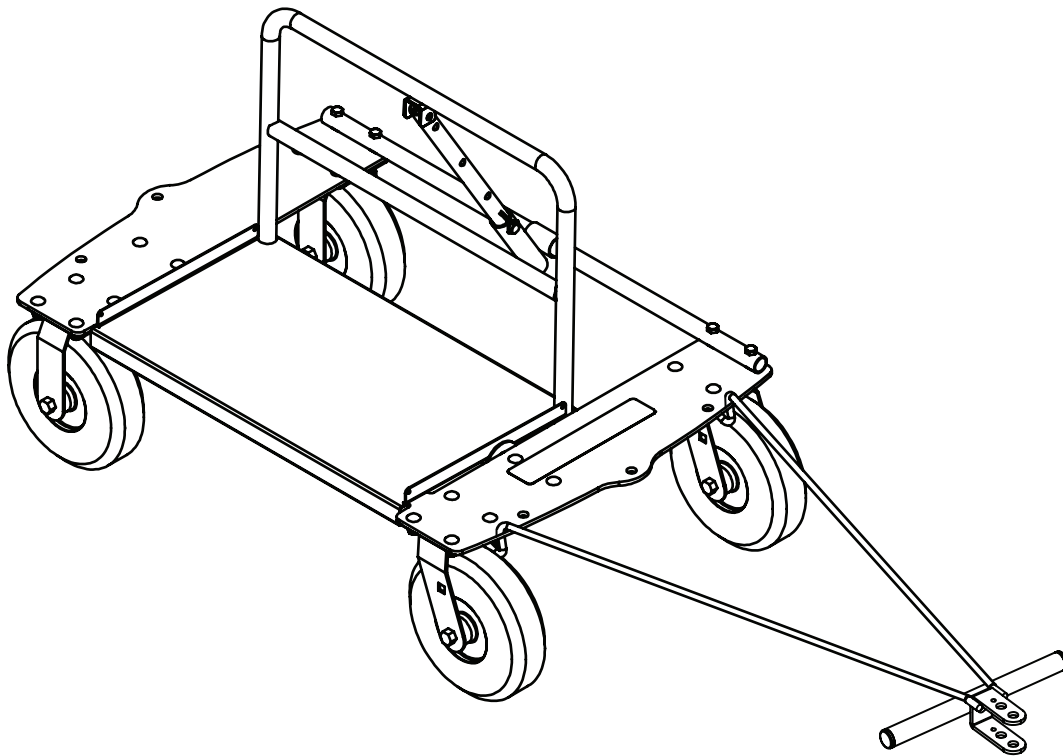




Assembly Instructions and Owner's Manual OnBoard® Speaker Cart



Contents

Important User Information	2	Assembly	5
Safety Precautions	3	Operation	6
General Operation	3	Accessories	7
Required Tools	4	Maintenance	8
Supplied Hardware	4	Replacement Parts	8
Parts List	4		



Visit the OnBoard Speaker Cart web page at wengercorp.com for more information.

Note: Please read and understand these instructions before proceeding.
Note: If you need additional information, contact Wenger Corporation using the information below.

Important User Information

General

Copyright © 2024 by Wenger Corporation

All rights reserved. No part of the contents of this manual may be reproduced, copied, or transmitted in any form or by any means including graphic, electronic, or mechanical methods or photocopying, recording, or information storage and retrieval systems without the written permission of the publisher, unless it is for the purchaser's personal use.

Printed and bound in the United States of America.

The information in this manual is subject to change without notice and does not represent a commitment on the part of Wenger Corporation. Wenger Corporation does not assume any responsibility for any errors that may appear in these instructions.

In no event will Wenger Corporation be liable for technical or editorial omissions made herein, nor for direct, indirect, special, incidental, or consequential damages resulting from the use or defect of these instructions. The manufacturer reserves the right to change this product at any time.

The information in this document is not intended to cover all possible conditions and situations that might occur. The end user must exercise caution and common sense when assembling or installing Wenger Corporation products. If any questions or problems arise, call the Wenger Corporation at (800) 4WENGER (493-6437) or +1-507-455-4100 worldwide.

Manufacturer

The OnBoard® Speaker Cart is manufactured by:

Wenger Corporation
555 Park Drive
Owatonna, MN 55060
(800) 4WENGER (493-6437) • +1 (507) 455-4100
wengercorp.com

Intended Use

- This product is intended for indoor use in normal ambient temperature and humidity conditions and limited outdoor use – it must not be exposed to prolonged outside weather conditions.
- This product is intended to be assembled, installed and used only as described in these instructions.

Warranty

Warranty information is available at wengercorp.com.

Safety Precautions

Throughout this document you may find cautions and warnings which are defined as follows:

- **WARNING:** Failure to follow the instruction could result in serious injury or damage to property.
- **CAUTION:** Failure to follow the instruction could result in minor injury or damage to property.

Read and understand all of these safety instructions before any assembly, installation or use.

⚠ CAUTION

Make sure anyone assembling, installing or using this product has read and understands these instructions.

⚠ CAUTION

Failure to comply with Warnings and Cautions in this document or on the equipment can result in damage to property or serious injury.

⚠ CAUTION

Do not transport people or stand on the cart.

General Operation

⚠ CAUTION

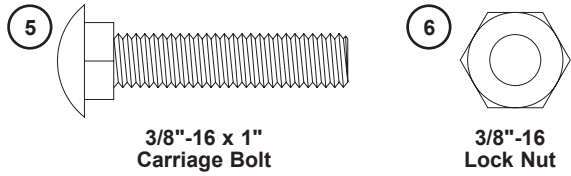
- *OnBoard Speaker Cart maximum total load capacity is 110 lb (50 kg).*
- *The cart is only intended to hold the speaker during performances or while moving to and from performance areas at a reasonable speed.*
- *When the cart is left unattended, it must be placed in a secure position so that it does not move or roll into vehicles, structures or people.*
- *All four casters must be in contact with the floor or ground at all times.*
- *Avoid ramps steeper than a 1' (305 mm) rise or drop in a 12' (3658 mm) horizontal distance.*
- *Because swivel casters move in any direction, the operator must move the cart slowly and have a clear view to avoid obstructions and individuals standing in the direction of travel.*
- *If the cart is heavily loaded, two people are required to move the cart (one pushing at the rear and one guiding at the front).*
- *When transporting the cart in a vehicle it must be braced with tie-downs, chains or cargo straps designed specifically for that purpose so cart will not move.*
- *Blankets or other padding material may be required to avoid damage to the cart and accessories from vibration and impact during transport.*
- *When moving the cart, do not ride and do not allow others to ride on the cart.*
- *Use caution when removing objects from the cart or when placing objects on the cart.*
- *When towing the speaker cart do not exceed 5 mph (8 kph) or tow more than three carts together.*
- *When towing the cart, avoid tight turns which may result in the tow vehicle making contact with the cart or tow bar.*
- *Speakers must be secured when on the cart.*
- *Speakers must be in the upright position when the cart is being moved.*
- *Never move or position the cart sideways on an incline.*

Required Tools

- 9/16" Wrench
- 9/16" Socket with ratchet

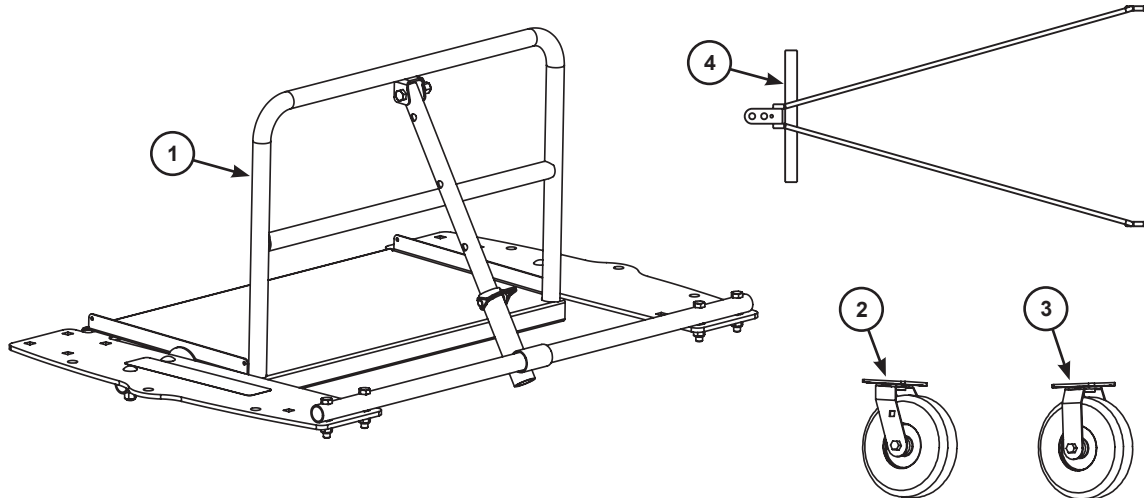
Supplied Hardware

Hardware remaining after assembly can be discarded.



Parts List

Item	Description
1	Speaker Cart Base Assembly
2	Swivel Locking Casters
3	Rigid Casters
4	Tow Bar



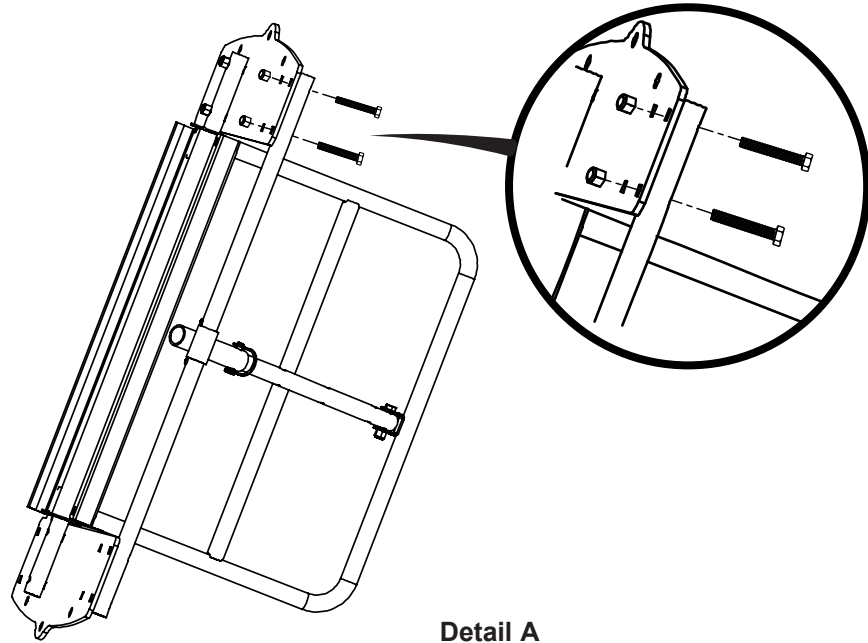
Assembly

Always observe the "Safety Precautions" in these instructions.

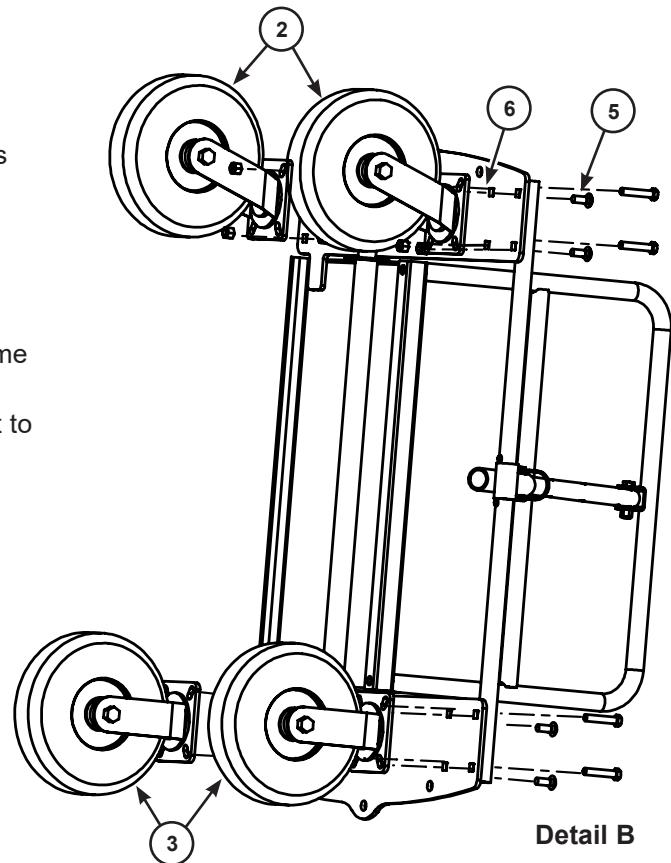
Failure to comply with the "Safety Precautions" in these instructions can result in serious injury.

Caster Assembly

1. Remove the two capscrews and nuts from the frame of the cart. (Detail A)



2. On the frame end with the OnBoard logo, align the swivel caster plate with the bolt holes. (Detail B)
3. Attach the caster to the frame where the capscrews were removed in step 1. Insert the two capscrews through the speaker cart frame and caster plate. Secure with the lock nut.
4. Secure the other side of the caster using the 3/8" carriage bolt (5) and lock nut (6).
5. Complete steps 1-4 on the opposite side of the frame using the 3/8" carriage bolt (5) and lock nut (6).
6. Repeat steps 1 and 3-5 on opposite end of the cart to assemble the rigid casters.
7. Position the cart onto its wheels.



NOTICE
Extra hardware can be discarded.

Operation

Always observe the "Safety Precautions" in these instructions.

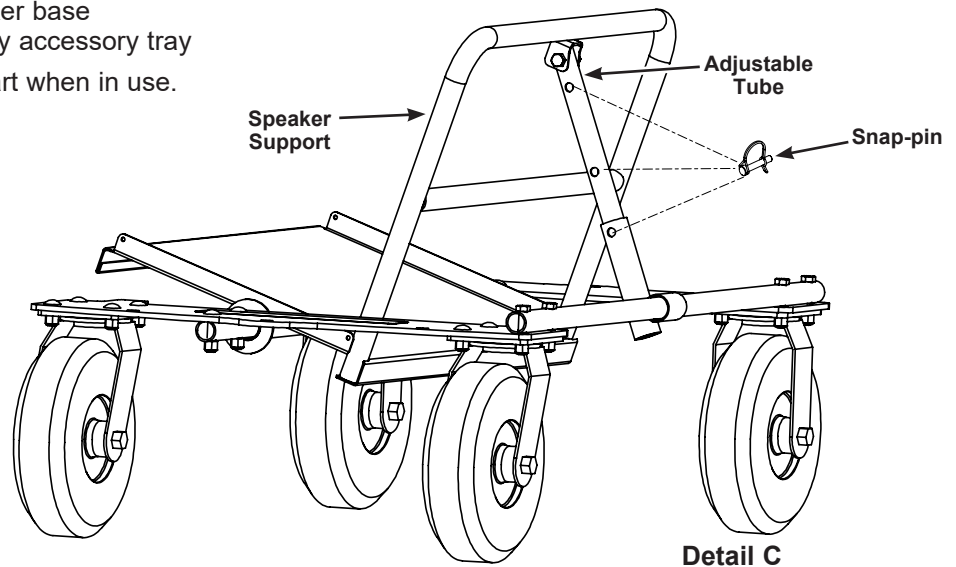
Failure to comply with the "Safety Precautions" in these instructions can result in serious injury.

Adjusting the OnBoard Speaker Cart

The cart tilts speakers into performance position at 0, 15, 30 and 45 degree angles.

Loading the OnBoard Speaker Cart

1. Always distribute loads evenly on the cart.
 - 50 lb (23 kg) max. on speaker base
 - 60 lb (27 kg) max. on battery accessory tray
2. Secure the speaker on the cart when in use.



To Set the Performance Angle on the Cart

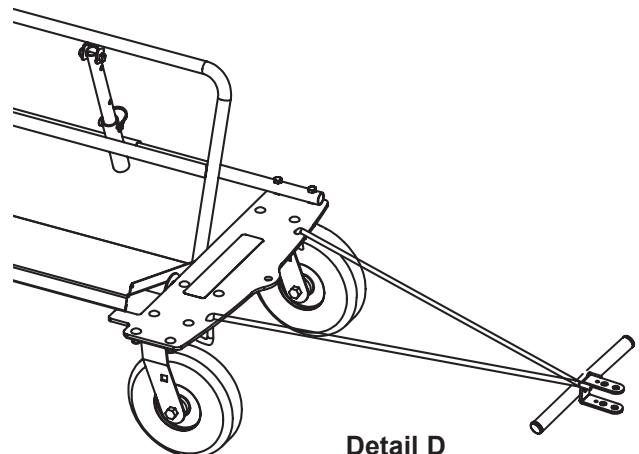
1. Remove the snap-pin from the adjustable tube.
2. Position speaker support in desired performance position aligning the pin holes.
3. Insert the snap-pin to hold the position. (Detail C)

CAUTION

Be sure to support the speaker when adjusting the angle so that the speaker doesn't fall backwards or tip the cart over.

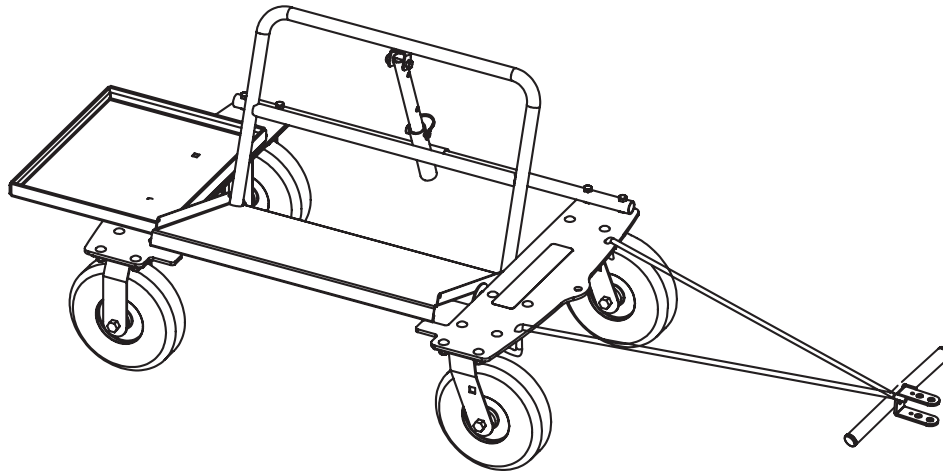
Moving the Speaker Cart

1. A separate tow bar (4) is provided which inserts into two holes in the speaker cart base assembly (1). The tow bar may be used as a handle to pull the cart manually or can be attached horizontally to a lawn and garden tractor. (Detail D)



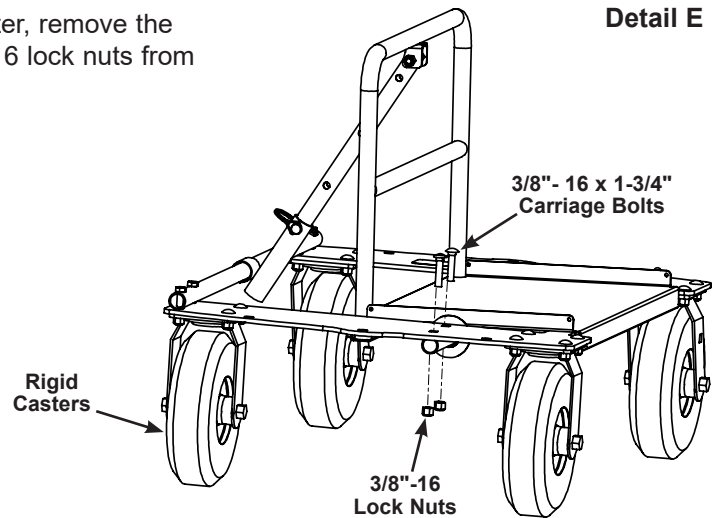
Accessories

Speaker Cart Battery Tray

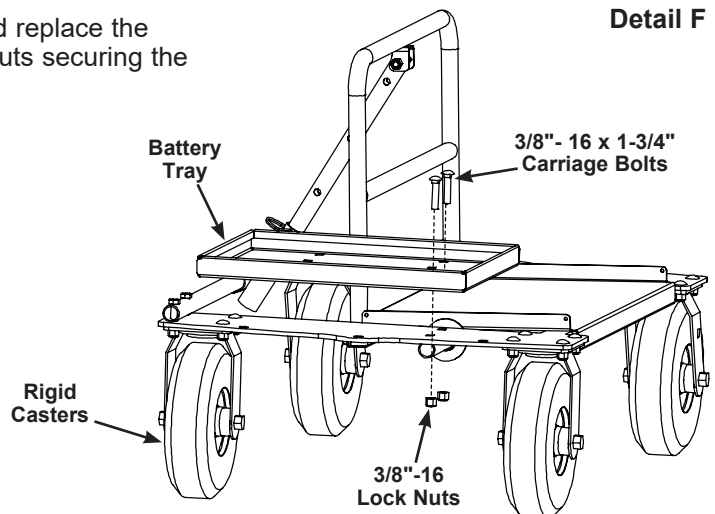


To assemble the battery tray to the speaker cart:

1. On the end of the speaker cart with the rigid caster, remove the two 3/8"-16 x 1-3/4" carriage bolts and two 3/8"-16 lock nuts from the frame support. **(Detail E)**



2. Align the battery tray holes up with bolt holes and replace the 3/8"-16 x 1-3/4" carriage bolts and 3/8"-16 lock nuts securing the battery tray to the speaker cart. **(Detail F)**



Maintenance

- Clean the cart with a mild detergent and warm water. Avoid using harsh or abrasive cleaning products.
- Immediately replace any caster wheels that do not rotate or turn freely.
- Immediately replace or repair any tire that develops a flat area.
- Recommended tire pressure is 50 psi (344 kPa). Do not exceed the maximum tire pressure shown on the sidewall of the tire. Inspect tire pressure periodically as tires may lose air pressure when not used for long periods of time.
- During heavy usage, periodically check and tighten the fasteners.
- Grease zerks and bushings if required.

Replacement Parts

Item	Description	Item	Description
1	Speaker Support Weldment	9	3/8-16 x 2" Capscrew
2	Swivel Locking Caster	10	10-16 x 3/4" Drill Tap Screw
3	Rigid Caster	11	Snap Pin
4	Tow Bar	12	Support Tube
5	3/8-16 x 1" Carriage Bolt	13	Back Pivot Weldment
6	3/8-16 Lock Nut	14	Base Plate
7	3/8-16 x 1 3/4" Capscrew	15	Angle Adjustable Tube
8	Wenger Decal	16	3/8-16 x 1-3/4" Carriage Bolt
		17	Tube Plug

